



КОМПАНИЯ
САНРАЙЗ

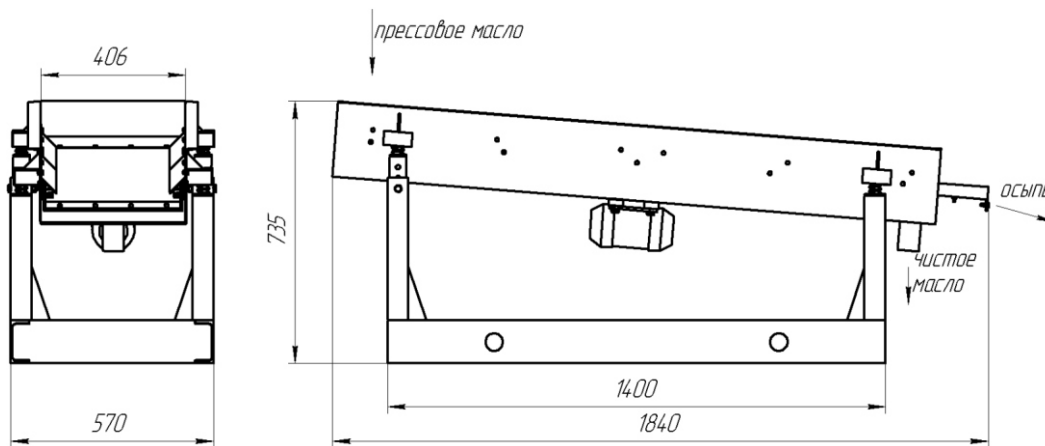
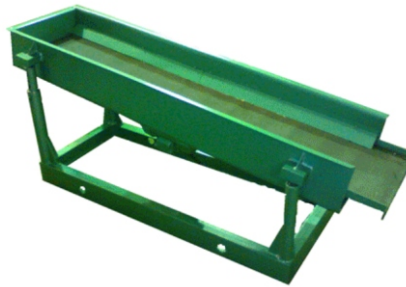
Приватне Підприємство
«КОМПАНІЯ САНРАЙЗ»

ЄДРПОУ 36372819
Україна, м. Харків, вул. Ковтуна, 52

р/р 26005176272
МФО 380805
АТ «Райффайзен Банк Аваль» м. Харків

Тел.: +38 (067) 7318107
Факс: +38 (067) 2369589
@mail: office@selhozmash.com
WWW: www.selhozmash.com

VIBROSIEVE



The vibrosieves of the model BC are used to remove ballast residue from vegetable oil during the preliminary refinement. The vibrosieve lets the pressed oil go through hair sieve. Vibration forces divide suspension into liquid and solid constituents. The sieve of vibrosieve holds the large suspended particles of pressed ballast residue and let vegetable oil go to be further refined.

Productivity, kg/ hour	Power, kilowatt	Personnel
1000	0,5	1